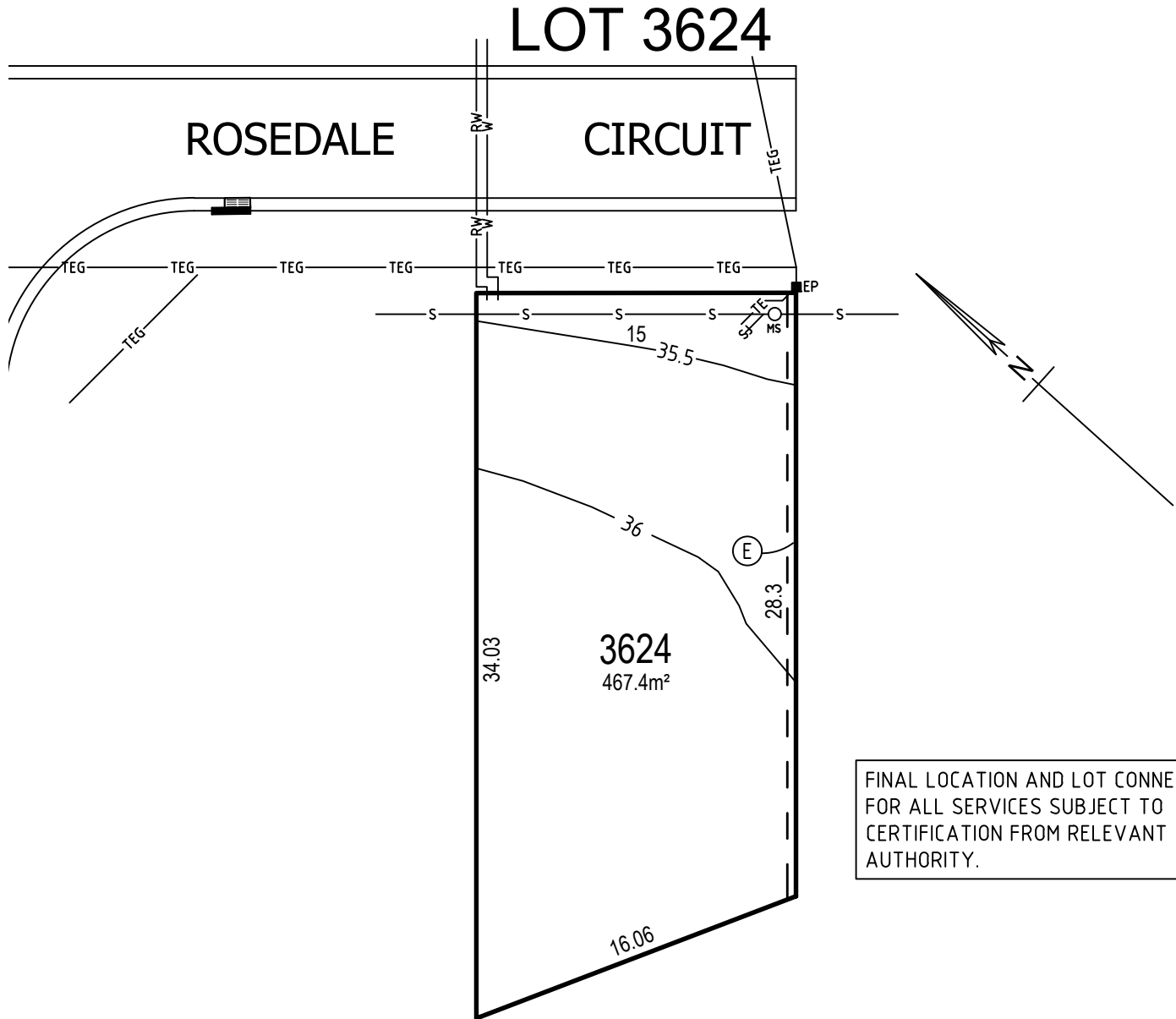


# LOT PLAN



FINAL LOCATION AND LOT CONNECTION FOR ALL SERVICES SUBJECT TO CERTIFICATION FROM RELEVANT AUTHORITY.

**LEGEND**

- TEG— ELECTRICITY, TELECOMMUNICATIONS AND GAS ● ELP LIGHT POLE
- TE— ELECTRICITY, TELECOMMUNICATIONS ■ EP ELECTRICITY PILLAR
- S— SEWER SAC ○ ACCESS CHAMBER MS ○ MAINTENANCE SHAFT
- W— WATER
- RW— RECYCLED WATER
- SW— STORMWATER
- 47— CONTOUR
- Stormwater Linel & Grate

(E) EASEMENT FOR SUPPORT 0.3 WIDE

0 5 10 15

**1300 373 683**  
**freemansridge.com.au**