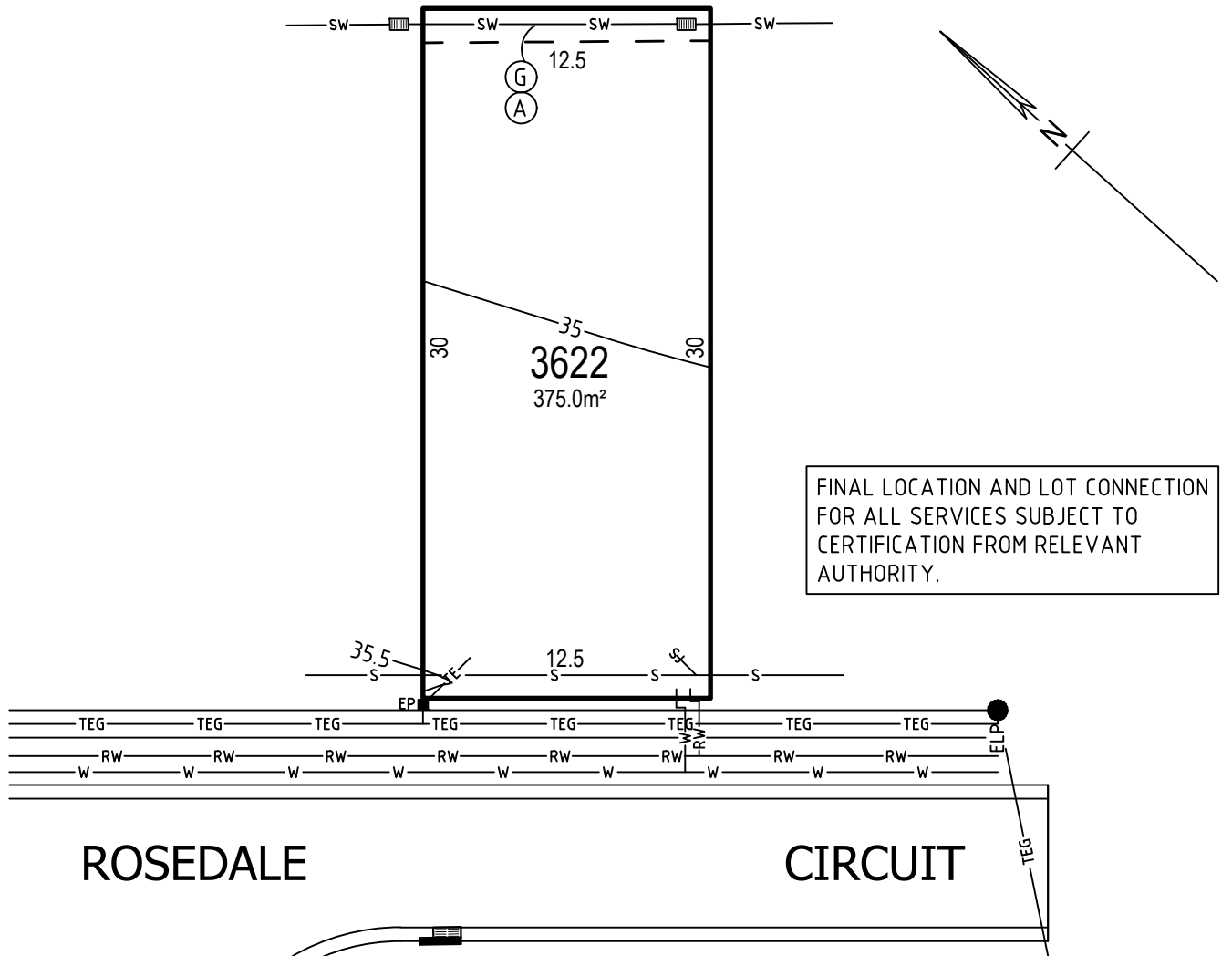


LOT 3622



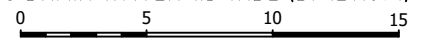
ROSEDALE

CIRCUIT

LEGEND

- TEG— ELECTRICITY, TELECOMMUNICATIONS AND GAS ● ELP LIGHT POLE
- TE— ELECTRICITY, TELECOMMUNICATIONS ■ EP ELECTRICITY PILLAR
- S— SEWER sac ○ ACCESS CHAMBER ms ○ MAINTENANCE SHAFT
- W— WATER
- RW— RECYCLED WATER
- SW— STORMWATER
- 47— CONTOUR
- ▬ STORMWATER LINTEL & GRATE

- (A) EASEMENT TO DRAIN WATER 1.5 WIDE
- (G) EASEMENT TO DRAIN WATER 1.5 WIDE (DP1211091)



1300 373 683
freemansridge.com.au