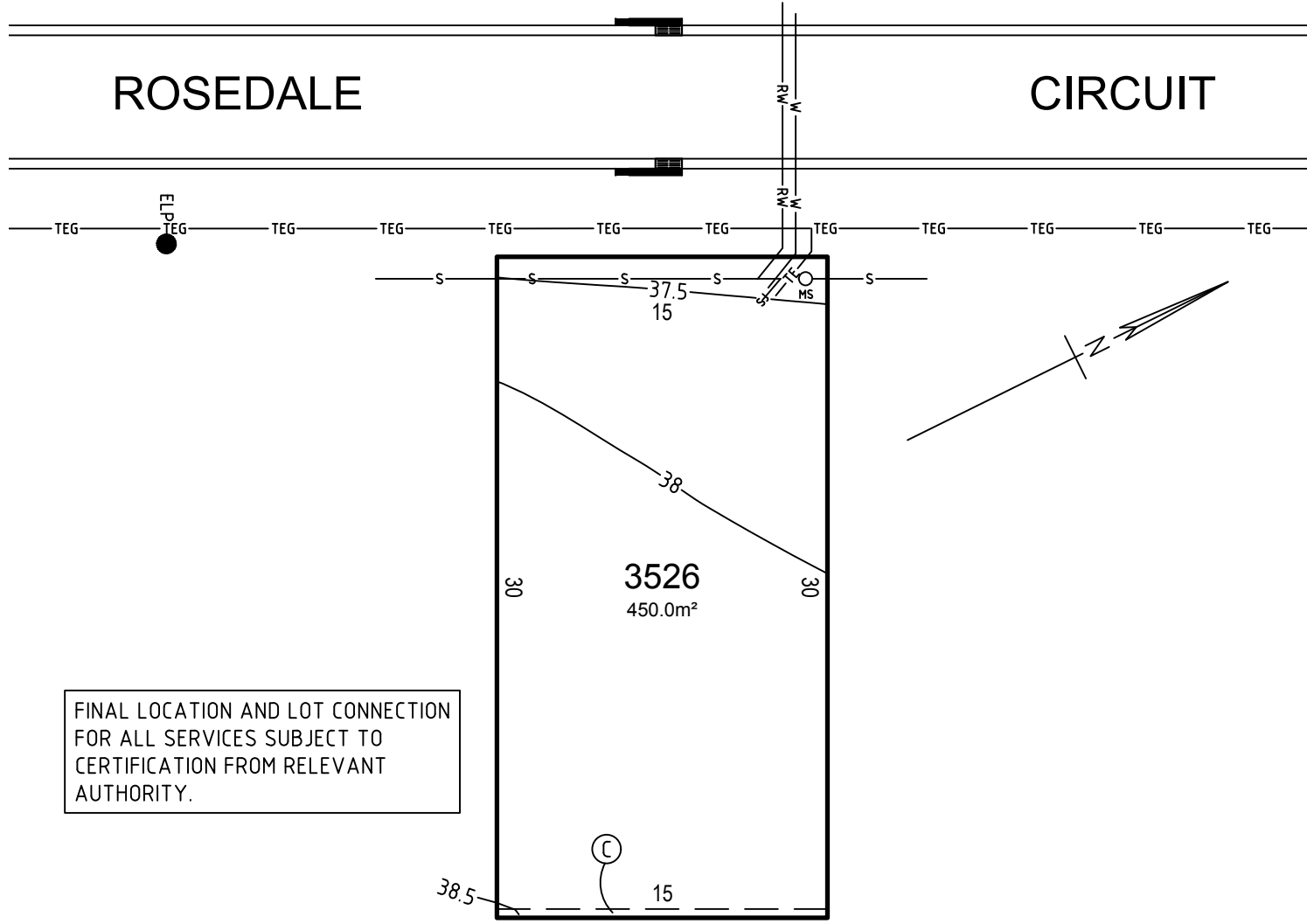


LOT PLAN

LOT 3526



FINAL LOCATION AND LOT CONNECTION FOR ALL SERVICES SUBJECT TO CERTIFICATION FROM RELEVANT AUTHORITY.

LEGEND

- TEG— ELECTRICITY, TELECOMMUNICATIONS AND GAS ● ELP LIGHT POLE
- TE— ELECTRICITY, TELECOMMUNICATIONS ■ EP ELECTRICITY PILLAR
- S— SEWER sac ○ ACCESS CHAMBER ms ○ MAINTENANCE SHAFT
- W— WATER
- RW— RECYCLED WATER
- SW— STORMWATER
- 47— CONTOUR
- ▬ STORMWATER LINTEL & GRATE

0 5 10 15
 (C) EASEMENT FOR SUPPORT 0.3 WIDE



1300 373 683
freemansridge.com.au

The material herein is intended as a guide only, no liability for negligence or otherwise is assumed for the material contained herein by Ingham Property Development, its principal or its servants or its agents. No material contained herein shall form the basis of or be part of any agreement and no warranty is given or implied as to the accuracy of the whole or any part of the material. Prospective buyers should not rely on the material but should make their own enquiries and satisfy themselves of all aspects of the material. Any liability by Ingham Property Development, its servants or its agents in any way connected with the brochure, whether or not such liability results from or involves negligence, will not exceed \$1000. FR0690